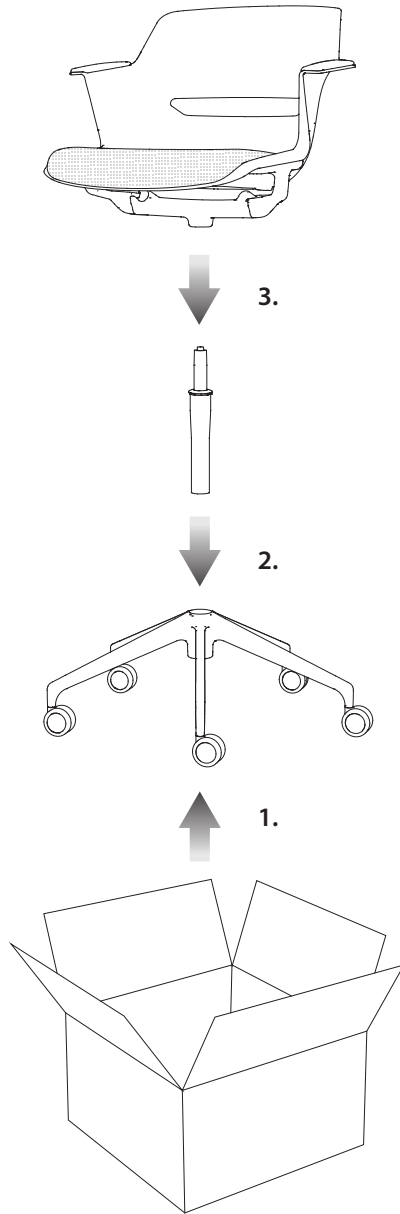


# RHEA Setup Instructions

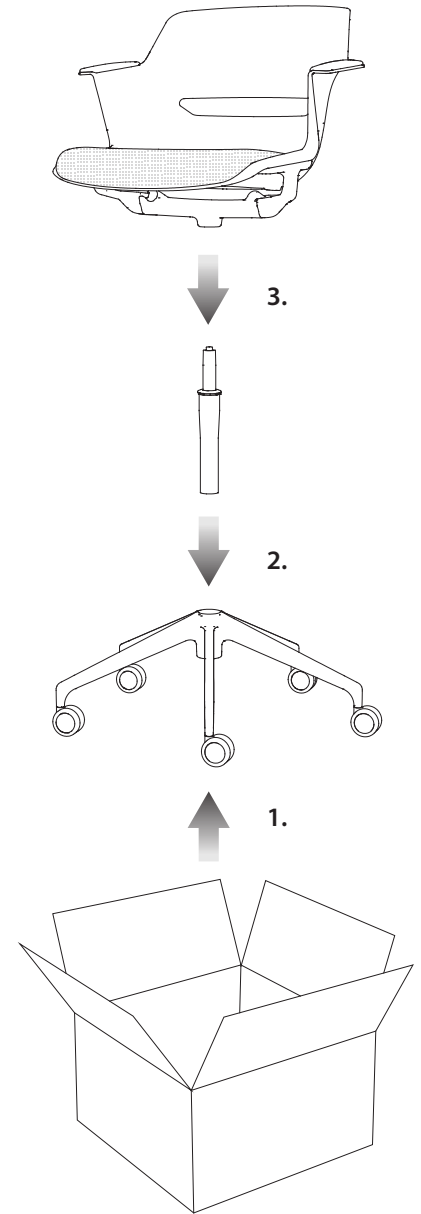


**STEP 1** Take the Star Base out of the box and put it on the floor.

**STEP 2** Put the Gas Cylinder inside the Star Base.

**STEP 3** Put the Chair on top of the Gas Cylinder.

# RHEA Setup Instructions



**STEP 1** Take the Star Base out of the box and put it on the floor.

**STEP 2** Put the Gas Cylinder inside the Star Base.

**STEP 3** Put the Chair on top of the Gas Cylinder.