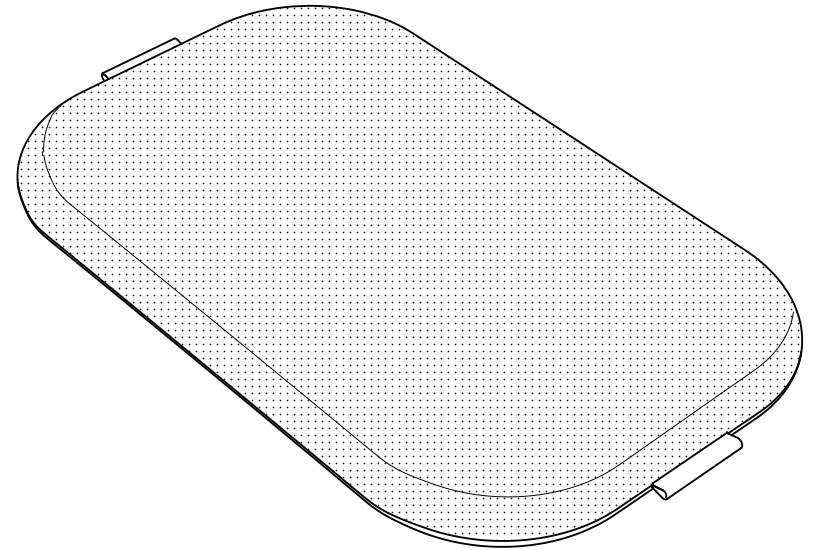


Support Pillow

Visit our website for discovering additional products, maintenance, warranty information, and to find the latest news from SFI Office:
www.sfioffice.com

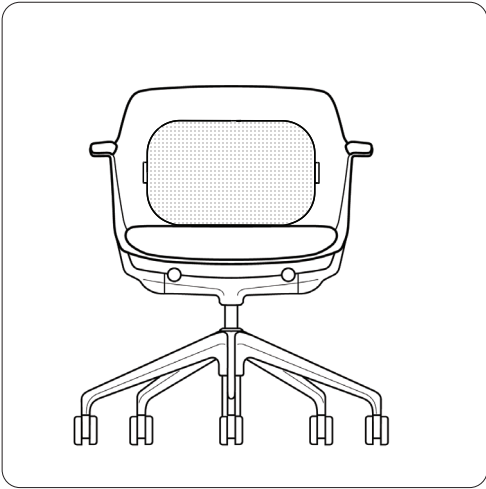


Support Pillow

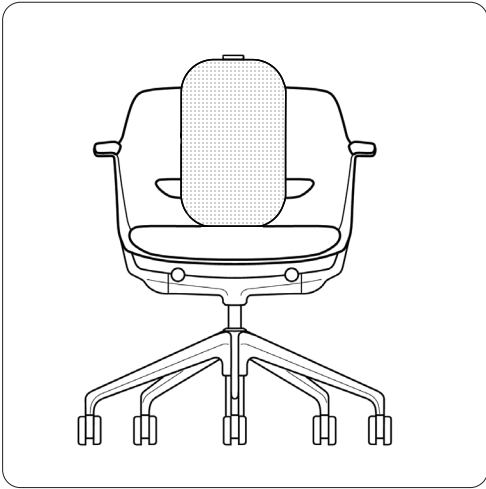
3D Knit Technology for maximum air flow and comfort

USER MANUAL

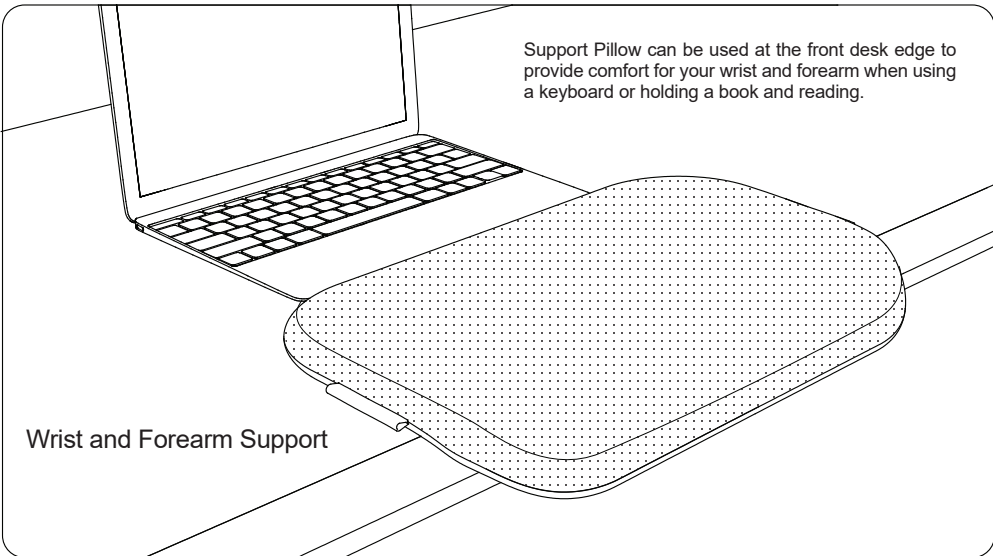
Health and Wellbeing



Horizontally-oriented Support Pillow provides the most comfort for active task work. It is designed to maximize comfort for prolonged sitting while also promoting healthy posture and blood circulation.



Vertically-oriented Support Pillow maximizes comfort when in reclined position by providing a soft back support, superior air circulation, and breathability to keep you cool while you work.



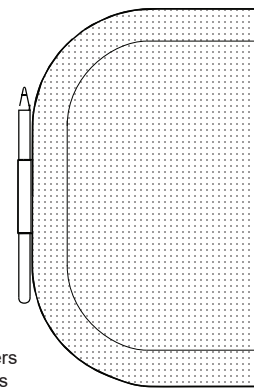
Support Pillow can be used at the front desk edge to provide comfort for your wrist and forearm when using a keyboard or holding a book and reading.

Wrist and Forearm Support



Practical Support for Portable Devices when working in a recline position

- Features**
- Provides enhanced comfort for Rhea Task Chair
 - Nonwoven Hypoallergenic, breathable inner filling
 - Easily Foldable to provide adjustable angle support
 - Offers comfortable support when using a keyboard
 - Wrist and Forearm support
 - Two soft elastic pencil holders on both sides
 - Dimensions-15.5" x 9.5" x 1" - or - 395mm x 240mm x 25mm
- Support Pillow is available in multiple fabric colors and can be ordered to match seat and armrest upholstery on Intuition, Entro and Rhea Task chairs.



Pencil Holders on both sides

Sustainable design

UPHOLSTERY FABRIC is made of 100% recycled materials. The main advantage of these products is that at the end of their useful lifecycle, they can be recycled, contributing to the circular economy, or sent to a landfill as a biodegradable product. Support Pillow provides ZERO WASTE using 3D Knit Technology to engineer direct fit upholstery.

INNER CONSTRUCTION of the Support Pillow comprises a nonwoven pad which replaces traditional Polyurethane foam. Nonwoven pads provide maximum comfort and airflow which prevents sweating. The inner filling of the Support Pillow is flat and made of nonwoven hypoallergenic polyester made of 100% recycled materials.

For Cleaning and Maintenance, see General Instructions and Warranty.