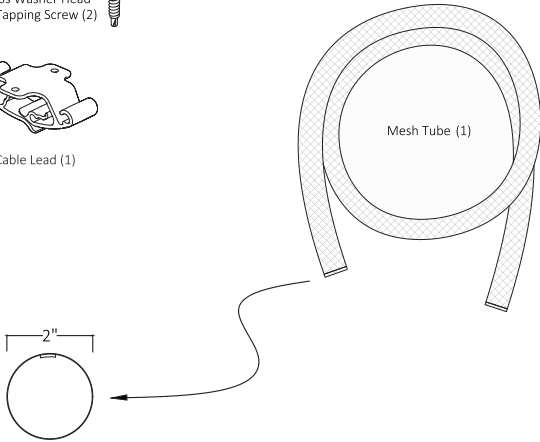
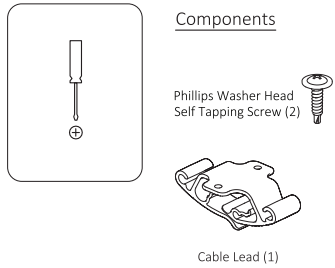


Mesh Tube

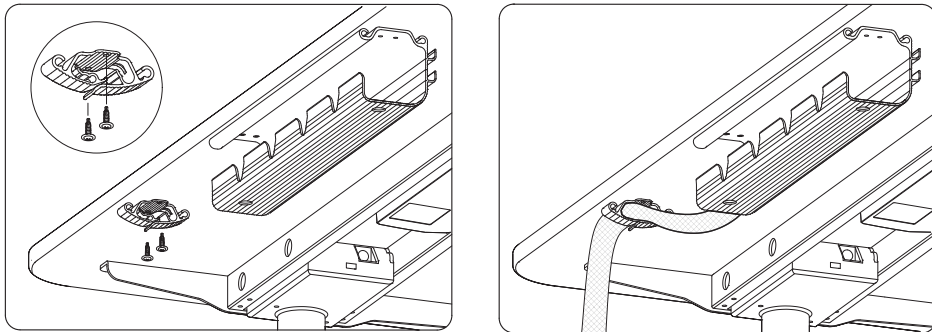
USER MANUAL
LX model 72" or L model 48"



STEP 1: Attach Cable Lead.

- Once all cables and accessories are in the tray, decide where to place the Cable Lead. Typically, it is placed near the leg where the cables are routed down toward the outlet.
- Using the Cable Lead as a template, and with a pick tool, make a deep mark for two holes on the underside of the work surface.
- Attach the Cable Lead to the underside of the work surface using the two Phillips Washer Head Self Tapping Screws.
- Cables can be snapped into the ends of the Cable Lead and its center.

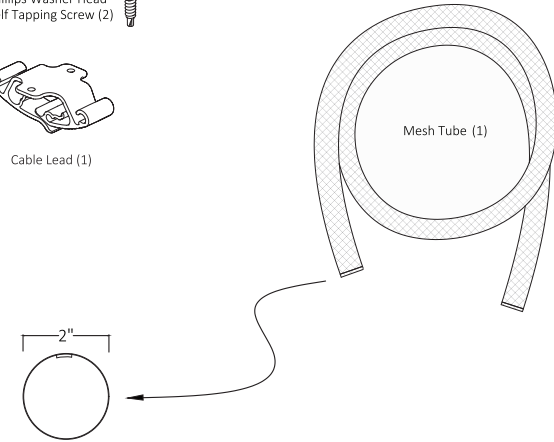
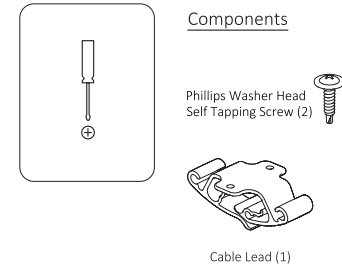
NOTE: You can use multiple Cable Leads to route cables from various equipment and bring them to a central location near the Desk leg, and Cable Conduit then routes the cables safely to the wall or floor power and data outlets.



WARNING: To be installed on Desk Tops with a minimum thickness of 3/4"

Mesh Tube

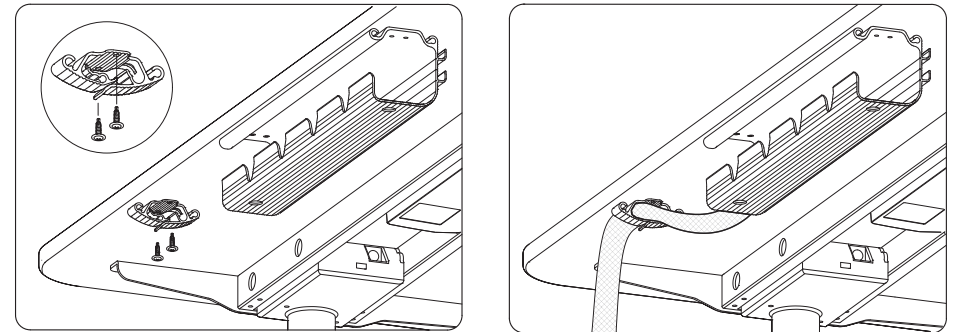
USER MANUAL
LX model 72" or L model 48"



STEP 1: Attach Cable Lead.

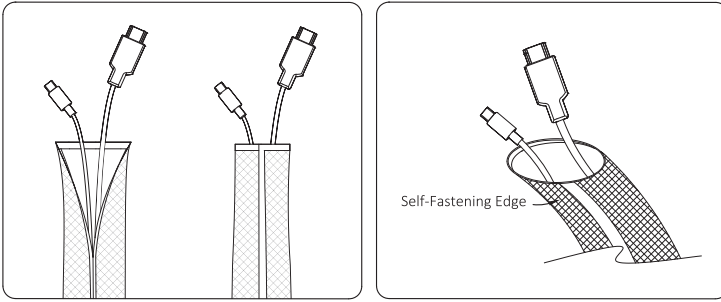
- Once all cables and accessories are in the tray, decide where to place the Cable Lead. Typically, it is placed near the leg where the cables are routed down toward the outlet.
- Using the Cable Lead as a template, and with a pick tool, make a deep mark for two holes on the underside of the work surface.
- Attach the Cable Lead to the underside of the work surface using the two Phillips Washer Head Self Tapping Screws.
- Cables can be snapped into the ends of the Cable Lead and its center.

NOTE: You can use multiple Cable Leads to route cables from various equipment and bring them to a central location near the Desk leg, and Cable Conduit then routes the cables safely to the wall or floor power and data outlets.

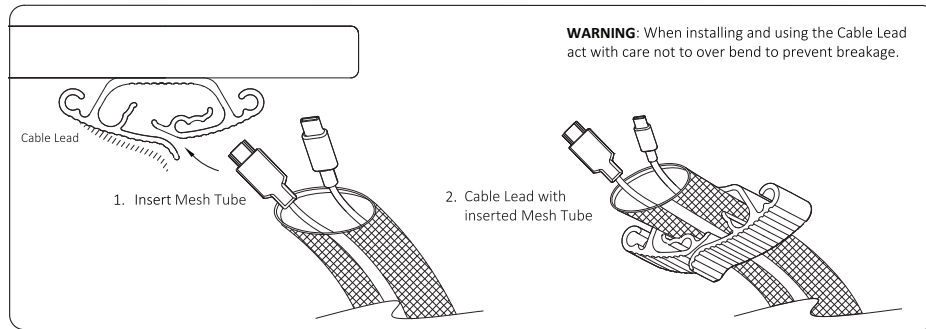


WARNING: To be installed on Desk Tops with a minimum thickness of 3/4"

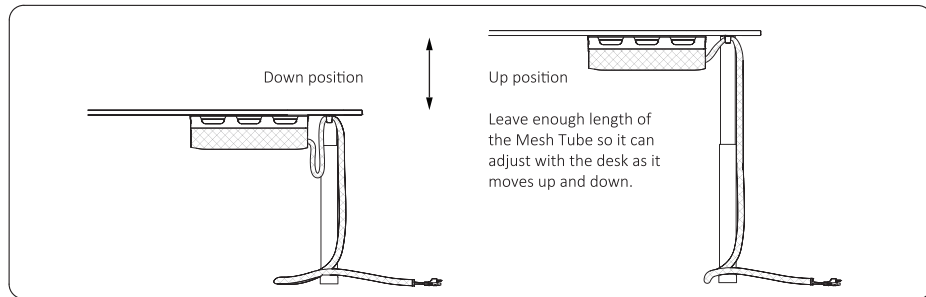
STEP 2: Insert cables inside the Mesh Tube. Close the Mesh Tube by connecting the Self-Fastening edges. This secures cables inside the Mesh tube. NOTE: You can use multiple Cable Leads to route cables from various equipment and bring them to a central location near the Desk leg and Cable Conduit to route the cables safely to wall/floor power and data outlets.



STEP 3: Tuck in the Mesh Tube into the Cable Lead so that when the desk raises, the Tube stays connected to the Tray.

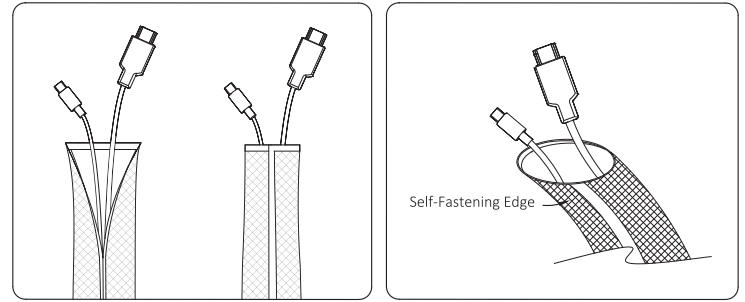


STEP 4: Make sure to leave enough length of the Mesh Tube, between the Cable Lead and the Tray, for desk height adjustments.

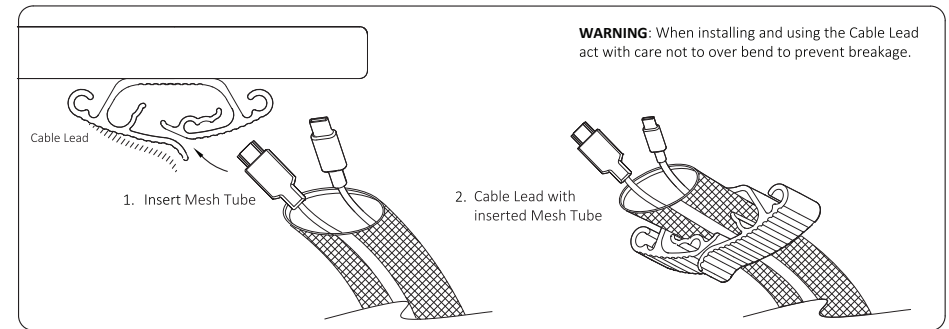


NOTE: Consider using Cable Conduit for additional safety in Wire Management.

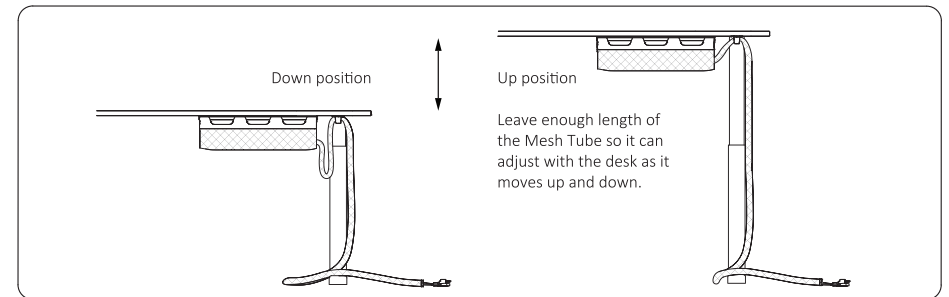
STEP 2: Insert cables inside the Mesh Tube. Close the Mesh Tube by connecting the Self-Fastening edges. This secures cables inside the Mesh tube. NOTE: You can use multiple Cable Leads to route cables from various equipment and bring them to a central location near the Desk leg and Cable Conduit to route the cables safely to wall/floor power and data outlets.



STEP 3: Tuck in the Mesh Tube into the Cable Lead so that when the desk raises, the Tube stays connected to the Tray.



STEP 4: Make sure to leave enough length of the Mesh Tube, between the Cable Lead and the Tray, for desk height adjustments.



NOTE: Consider using Cable Conduit for additional safety in Wire Management.